

## GRIT CLASSIFIER

### Sedimentation Process

#### DESCRIPTION

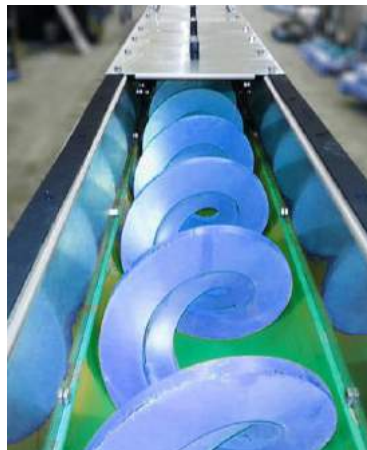
EQUIP GRIT is used to remove grit from water. These separators consist of a shaft less screw conveyor provided with a big sedimentation hopper, including inlet/outlet flanged spouts. Effluent flows through the hopper, that is designed specifically to allow the sedimentation process while the grit separation takes place.

The shaft less screw extracts the grits from the hopper's bottom, while the cleaned water outflow trough the outlet spout. The water enters the hopper and the sand falls on the bottom, to then be extracted from the cochlea that, by rotating at low speed, avoiding turbulence and increases the efficiency of the process.



#### BENEFITS

- Trough Protection with HDPE liner
- Screw in high strength carbon steel or stainless steel 304/316
- Grit separation:  $\geq 90\%$  for particles up to 200  $\mu\text{m}$

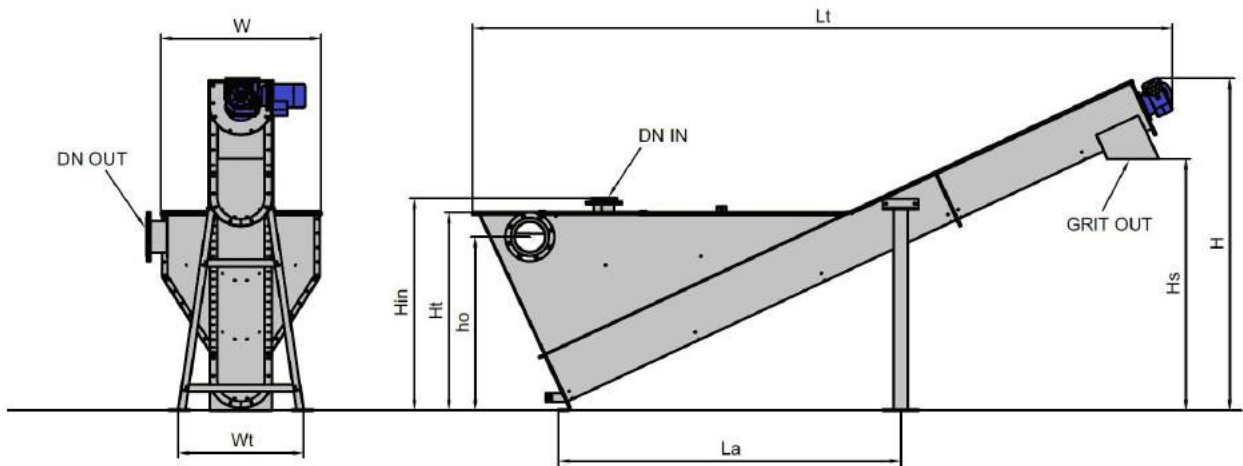
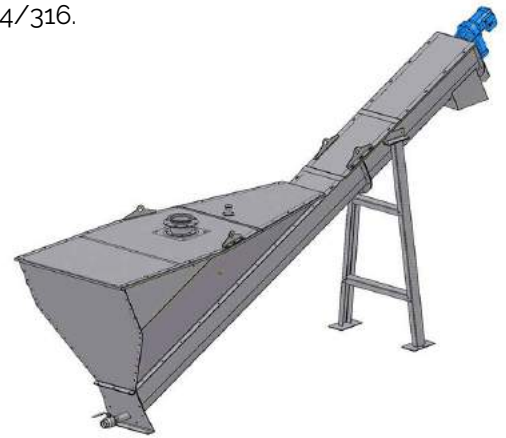


## GRIT CLASSIFIER

### Sedimentation Process

#### CHARACTERISTICS

- Screw: high strength carbon steel or stainless steel AISI 304/316.
- Structure: stainless steel AISI 304/316.
- Trough Protection: HDPE liner.
- Grit separation:  $\geq 90\%$  for particles up to  $200 \mu\text{m}$ .
- Inlet Flow Rate: up to  $130 \text{ m}^3/\text{h}$ .



MODEL	Lt	H	La	Wt	W	Ht	Hin	Ho	Hs	DN IN	DN OUT	Flow	Water capacity	Sand removing capacity
	mm	mm	mm	mm	mm	mm	mm	mm	mm	PN10	PN10	m <sup>3</sup> /h	m <sup>3</sup>	m <sup>3</sup> /h
Equip Grit 200	4000	2150	2000	810	900	1200	1300	1050	1500	DN80	DN100	20	0,58	0,25
Equip Grit 300	4500	2150	2380	995	1065	1330	1400	1150	1585	DN100	DN150	30	0,73	0,4
Equip Grit 600	5000	2300	2380	1150	1265	1370	1450	1200	1750	DN150	DN200	60	1,7	0,4
Equip Grit 80	5400	2500	3065	1400	1530	1690	1750	1550	1900	DN150	DN200	80	1,95	0,4
Equip Grit 100	6200	2890	3250	1450	1600	2090	2200	1870	2300	DN200	DN250	100	3	0,4
Equip Grit 130	7500	3200	3470	1530	1650	2500	2650	2370	2900	DN200	DN250	130	3,8	0,7

On request and with an extra charge, Equip Grit could be supplied with conical hopper for a better grit separation.