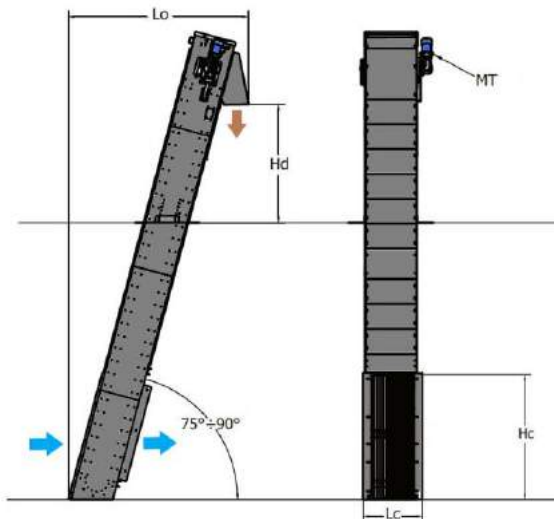


MULTIPLE RAKE SCREEN

Designed for Screening in Channel

DESCRIPTION

The RAKE SCREEN meets the need to have a separation of the coarse screenings from wastewater, whether civil or industrial. The machine is composed by a screen with a spacing which can vary from 6 to 40 mm. The screenings are lifted, transported and discharged using rakes, that are also suitable for cleaning the filtration area. Rakes are guided by rails at the bottom without any bearings/mechanical components submerged by the raw water.



BENEFITS:

- ➔ No Sprocket, bearings or mechanical components submerged
- ➔ Guides & Rails at the bottom
- ➔ Low maintenance
- ➔ Capture wipes, wood, rocks, bottles

MODEL	400	600	800	1000	1200	1400	1800	2000	2200	2400	2600	2800	3000
Channel width (Lc)	400	600	800	1000	1200	1400	1800	2000	2200	2400	2600	2800	3000
Channel height	Variable												
Bars section height* (Hc)	600	600	600	800	800	800	800	800	1300	1300	1300	1300	1300
Bar dimensions	40x8	40x8	40x8	40x8	40x8	40x8	40x8	40x8	40x10	40x10	40x10	40x10	40x10
Discharge height** (Hd)	2300	2300	2300	2500	2500	2500	2500	2500	3000	3000	3000	3000	3000

* Standard bars section height, possibility of customization

** Standard discharge height, possibility of customization

