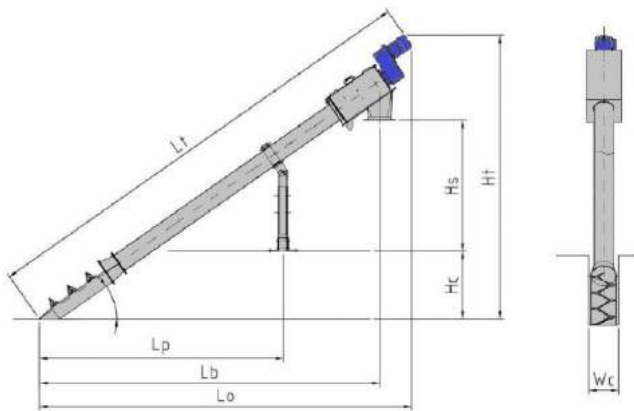
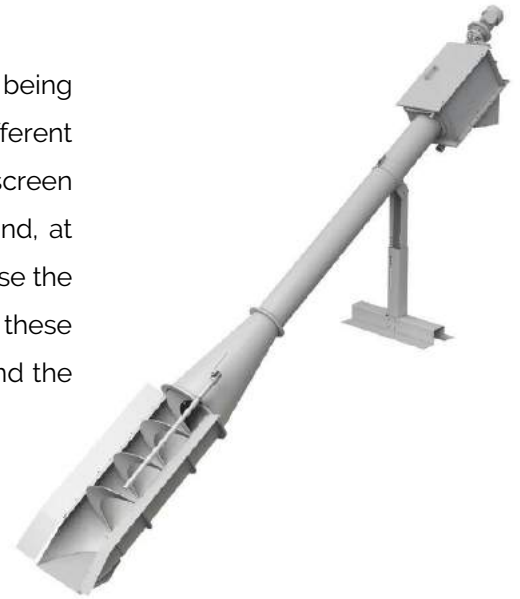


SCREW SCREEN COMPACTOR

Fine Screen in Channel

DESCRIPTION

The SPIRAL SCREEN is useful to pre-treat any kind of sewage water being it municipal or industrial. Following the application, there are two different versions: screw screen directly installed in the channel or screw screen supplied complete with tank, with liquid inlet and outlet flanges and, at request, with lateral by-pass screen. For both models, you can choose the version with or without compacting zone. The main advantages of these models of machines are mainly the low cost of initial investment and the subsequent little maintenance required.



BENEFITS

- ➔ Low cost of initial investment
- ➔ Excellent performance even in the presence of fibrous or particularly long products,
- ➔ Screw in carbon steel, stainless steel 304 or 316
- ➔ Low maintenance

		Model S-SC					
Dimensions (mm)		S-SC 200	300	400	500	600	700
Lt		5360	5355	5410	5420	5825	6165
Ht		2990	3340	3325	3330	3740	3940
Lo		4500	4500	4350	4365	4635	4900
Hs		1500	1500	1520	1525	1550	1550
Lb		3670	4000	3990	3990	4220	4480
Hc		800	800	800	800	800	1000
Lp		2685	2870	2870	2875	3360	3440
Wc		250	350	460	560	660	860
Opening (mm)		Flow (m ³ /h)					
Wedge wire	0.25	20	35	55	120	200	290
	0.5	45	60	85	190	275	370
	1	75	90	120	265	360	530
	2	85	105	150	310	415	670
∅	3	100	125	180	320	465	740
	5	140	162	268	396	590	950
	6	160	198	300	435	600	980
	7	180	220	350	480	650	1000

