

INCLINED SCREEN MONO RAKE

Coarse Screen Headworks WasteWater Treatment Plant

DESCRIPTION

The inclined bar screen MONO SCREEN is an automatic mechanical equipment specially designed for channels in wastewater treatment plant WWTP. The raw water filtration is carried out by an inclined wire rack collecting the waste. A single rake with teeth moved by a cable and gravity picks up the waste deposited on the screen. The waste is ejected by a shovel at the top of the machine into a hopper then a dumpster.

DIMENSIONS:

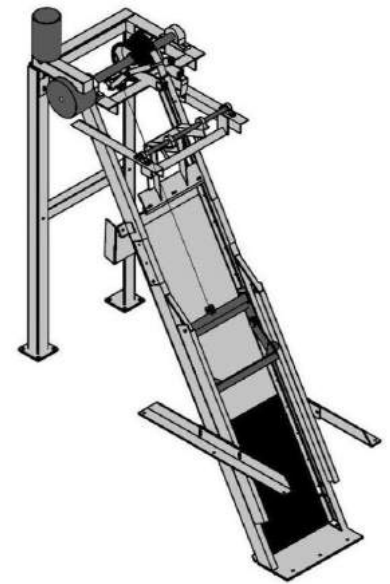
Flow: Up to 5000 m³/h

Opening filtration: 10 mm to 25 mm

Channel width: 500 mm to 2000mm

Screen height: Up to 2000 mm

Installation angle: 60° to 75°



AVANTAGES:

- ➔ Large amount of waste in a single rake
- ➔ Catch any trash, wipes, wood, bottles
- ➔ Protect your downstream wastewater process
- ➔ Basic & effective equipment

